



CMP9605

HOSTED DB Wi-Fi 6 + BT5.4 for IoT Connectivity

High-Performance connectivity for IoT systems



- Linux, Android, FreeRTOS
- Miniature module w/antenna
- Dual-Band Wi-Fi 6
- BT5.4
- SDIO/UART

WIRELESS FEATURES

- **Wi-Fi 6**
 - 802.11 a/b/g/n/ac/ax
 - 2.4/5GHz
 - 20MHz spatial stream
 - TWT
 - MU-MIMO (downstream)
 - SDIO or SPI
 - <65Mbps throughput
 - +20dBm
 - Supports WPA2 and WPA3
 - Multirole capable...STA+AP
- **Bluetooth**
 - BLE 5.4
 - Long Range
 - 2Mbps
 - Advertising Extensions
 - HCI – UART or Shared SPI
 - Internal coexistence w/Wi-Fi

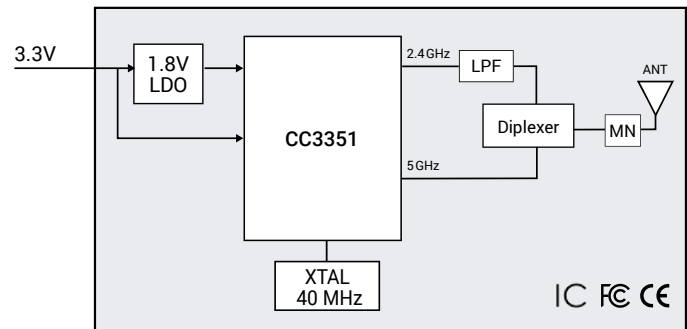
PLATFORM SUPPORT

- **Operating System**
 - Linux
 - Android
 - RTOS
 - Any host running TCP/IP stack
- **MCU/MPU**
 - Texas Instruments
 - NXP
 - ST Micro
 - Other

FORM FACTOR AND OPERATING TEMPERATURE

- Surface mount
- Castellated Edge Connections
- Operating Temperature...-40 to +85 °C

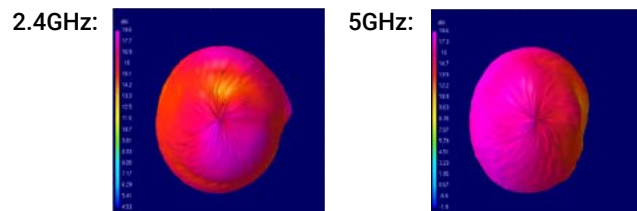
TURNKEY: INTEGRATED, CERTIFIED, FULLY TESTED



Size:16.7 x 20mm, 334mm²

HIGH-PERFORMANCE ANTENNA

- Omni-directional
- High Efficiency
- Minimal integration impact to HOST PCB



Contact CEL for Antenna Performance Details

APPLICATIONS:

- Building Automation/Control
- HVAC
- Medical & Healthcare
- Smart Energy
- Fleet & Telematics
- Security
- Retail & POS
- Connected Home
- Appliances

Questions? Call Us
(408) 919-2500

www.cel.com