

L407CD

EK0500-0014 Ver.B

PIN Diode

FEATURES

- High Power Handling
- Low Capacitance at Zero Bias, Extremely Small Reverse Bias
- Low Forward Bias Resistance
- Low Insertion Loss, High Isolation
- Low Distortion
(TX Spurious <-80dBc, RX Intermodulation ≒ -73dBc @ 90dBμ)
- RoHS Compliant

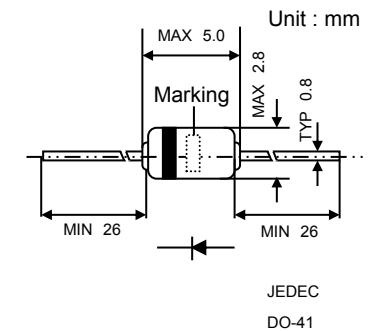
GENERAL DESCRIPTION

The L407CD PIN diode employs a high reliability glass package that is designed for solid state antenna switches used in commercial two-way radios.

APPLICATIONS

- High power antenna switch

DIMENSIONS



ABSOLUTE MAXIMUM RATINGS (Ta=25°C)

SYMBOL	PARAMETER	RATINGS	UNITS
VRM	Repetitive Peak Reverse Voltage	180	V
VR	Reverse Voltage	180	V
IFSM*	Forward Surge Current	2	A
P	Power Dissipation	1	W
Tj	Junction Temperature	175	°C
Tstg	Storage Temperature Range	-55 to 175	°C

* t = 5sec

ELECTRICAL CHARACTERISTICS (Ta=25°C)

SYMBOL	PARAMETER	CONDITIONS	LIMITS			UNITS
			MIN	TYP	MAX	
IR1	Reverse Current	VR = 50V	-	-	10	μA
IR2		VR = 45V	-	-	0.5	μA
IF	Forward Current	VF = 1.0V	100	-	-	mA
Ct	Diode Capacitance	VR = 0V, f = 100MHz	-	1.6	2.0	pF
rfs	Forward Series Resistance	IF = 50mA, f = 470MHz	-	0.65	0.8	Ω

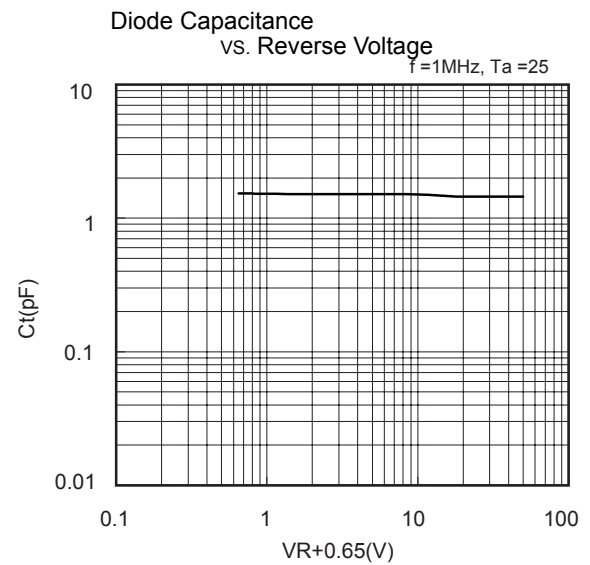
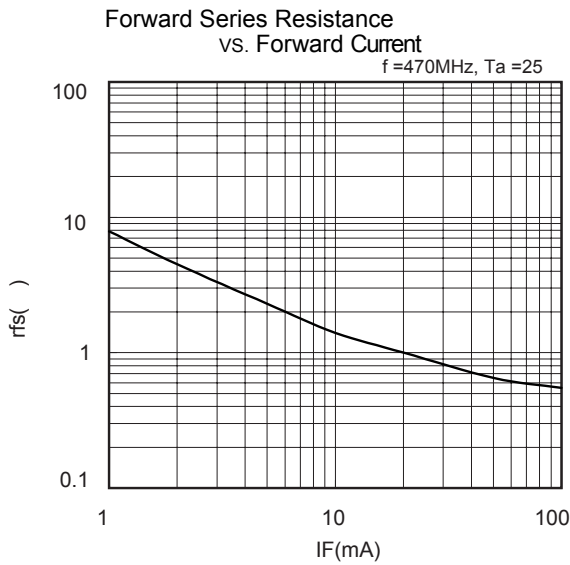
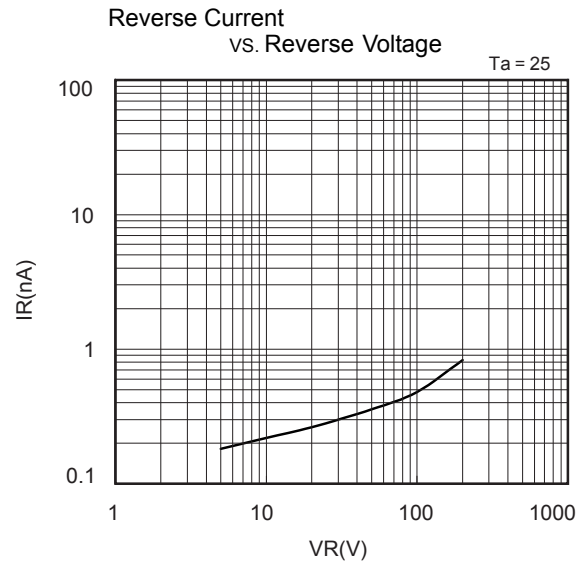
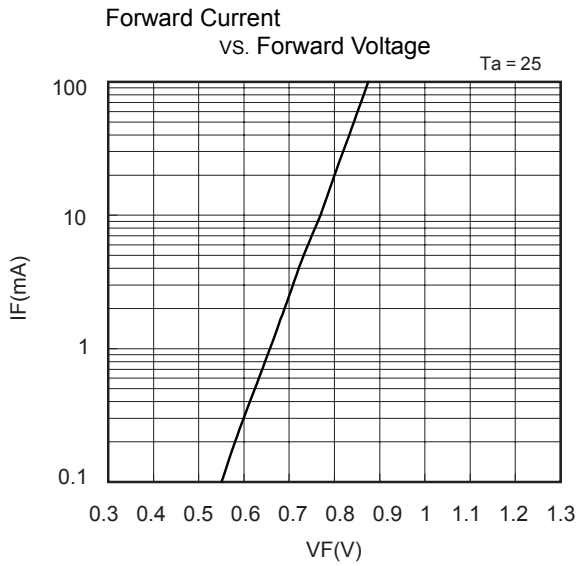


L407CD

EK0500-0014 Ver.B

PIN Diode

TYPICAL PERFORMANCE CHARACTERISTICS





IMPORTANT NOTICE

Litec Corporation reserves the right to make changes without further notice to any product herein to make corrections, modifications, enhancements, improvements, or other changes.

Litec Corporation does not assume any liability arising out of the application or use of any product described herein; neither does it convey any license under its patent rights, nor the rights of others. The user of products in such applications shall assume all risks of such use and will agree to hold Litec Corporation and all the companies whose products are represented on our website, harmless against all damages.

The products located on our website at www.litec-corp.com are not recommended for use in life support systems where a failure or malfunction of the component may directly threaten life or cause injury without the expressed written approval of Litec Corporation.

CONTACT

CEL
4590 Patrick Henry Drive, Santa Clara, Ca 95054
TEL: (408) 919-2500
www.cel.com